

# MULTI-PURPOSE SUPERXCUT XTRA DEEP 165MM MXqs

Extra-long Multi-purpose Hole Saw, including the unique MXqs adapter AND also including the unique quick release MXqs arbor, with unique carbide tooth set for clean and high performance cutting. With a cutting depth of 165mm, these Hole Saws are e.g. perfect for use as roof transit saws. Carbide tipped teeth made from a specially developed construction grade carbide result in outstanding cutting performance and product durability. With the unique drilling guide pin drilling is safe and secure!

## FEATURES

- 5 times faster and 10 times the lifetime compared to any competitive Hole Saw
- **Cutting depth 165mm**
- Large clearance of chips thanks to the specially designed wide slots
- Smooth cutting with minimal heat build up
- Suitable for use in electric and battery powered tools
- Drilling deep under an angle is easy when using a longer center pin\*
- Extra-long side slots for easy core release



## MXqs Xtra DEEP - ARBOR



**MX2P1006B**  
MXqs Arbor  
Drill Chuck Hex 11 - 7/16"PB



**MX2P1006SB**  
MXqs Arbor  
Drill Chuck SDS-Plus

## MXqs Xtra DEEP - DRILLS 165 for pre-drilling

**MX2P0070B** Woodworking Drill (Auger Bit) For Bi-M & TCT Hole saws L=165mm  
Drill Chuck Hex 11 - 7/16"PB. To drill the hole for the deep guide pin.



**MX2P0072B** Masonry Drill - TCT - For TCT Hole saws L=165mm  
Drill Chuck Hex 11 - 7/16"PB. To drill the hole for the deep guide pin.

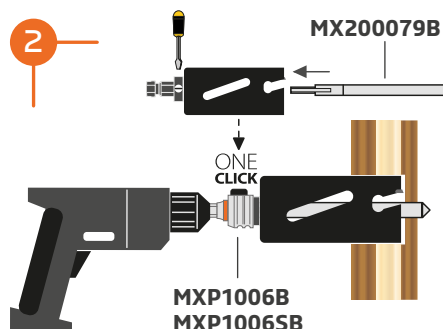
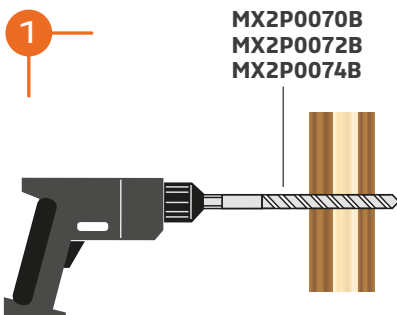


**MX2P0074B** HSS Drill L=165mm  
Drill Chuck Hex 11 - 7/16"PB. To drill the hole for the deep guide pin.

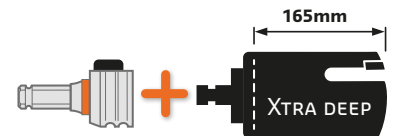
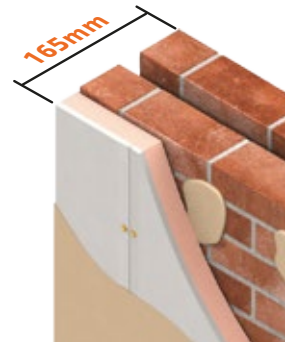


## MXqs Xtra DEEP - GUIDE PIN

**MX200079B** Guide pin - For Bi-Metal & TCT Hole saws L=165mm



**MXqs**



Art. No.**	Ø MM	Ø INCH
MHM30Q032B	32	1 1/4
MHM30Q045B	45	1 23/32
MHM30Q051B	51	2
MHM30Q060B	60	2 3/8
MHM30Q065B	65	2 9/16
MHM30Q068B	68	2 11/16
MHM30Q070B	70	2 3/4
MHM30Q080B	80	3 5/32
MHM30Q086B	86	3 3/8
MHM30Q092B	92	3 5/8
MHM30Q102B	102	4
MHM30Q111B	111	4 3/8
MHM30Q121B	121	4 3/4
MHM30Q133B	133	5 1/4
MHM30Q140B	140	5 1/2
MHM30Q152B	152	6
MHM30Q168B	168	6 5/8
MHM30Q210B	210	8 9/32

\*\*Including MXqs ONE CLICK Quick Change Arbor MX2P1006B and Adapter, excl. guide pin. Guide pin must be ordered separately.



# MULTI-PURPOSE SUPERXCUT XTRA DEEP 300MM MXqs

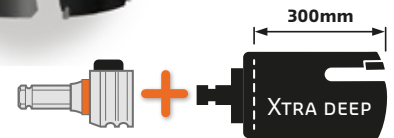
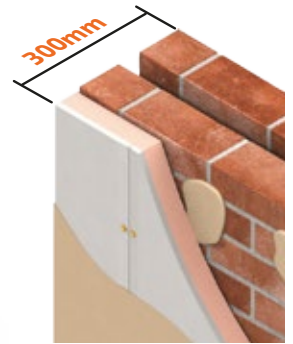
Extra-long Multi-purpose Hole Saw, including the unique MXqs adapter AND also including the unique quick release MXqs arbor, with unique carbide tooth set for clean and high performance cutting. With a cutting depth of 300mm, these Hole Saws are e.g. perfect for use as roof transit saws. Carbide tipped teeth made from a specially developed construction grade carbide result in outstanding cutting performance and product durability. With the unique drilling guide pin drilling is safe and secure!

## FEATURES

- 5 times faster and 10 times the lifetime compared to any competitive Hole Saw
- **Cutting depth 300mm**
- Large clearance of chips thanks to the specially designed wide slots
- Smooth cutting with minimal heat build up
- Suitable for use in electric and battery powered tools
- Drilling deep under an angle is easy when using a longer center pin\*
- Extra-long side slots for easy core release



**MXqs**



## MXqs Xtra DEEP - ARBOR



**MX2P1006B**  
MXqs Arbor  
Drill Chuck Hex 11 - 7/16"PB



**MX2P1006SB**  
MXqs Arbor  
Drill Chuck SDS-Plus

## MXqs Xtra DEEP - DRILLS 300 for pre-drilling

**MX2P0071B** Woodworking Drill (Auger Bit) For Bi-M & TCT Hole saws L=300mm  
Drill Chuck Hex 11 - 7/16"PB. To drill the hole for the deep guide pin.



**MX2P0073B** Masonry Drill - TCT - For TCT Hole saws L=300mm  
Drill Chuck Hex 11 - 7/16"PB. To drill the hole for the deep guide pin.



**MX2P0075B** HSS Drill L=300mm  
Drill Chuck Hex 11 - 7/16"PB. To drill the hole for the deep guide pin.



## MXqs Xtra DEEP - GUIDE PINS

**MX200078B** Guide pin - For Bi-M & TCT Hole saws L=300mm

**MX200078XL** Guide pin - For Bi-M & TCT Hole saws L=515mm (Pitched roofs)



Art. No.**	Ø MM	Ø INCH
MHM31Q045B	45	1 23/32
MHM31Q060B	60	2 3/8
MHM31Q068B	68	2 11/16
MHM31Q080B	80	3 5/32
MHM31Q102B	102	4
MHM31Q111B	111	4 3/8
MHM31Q121B	121	4 3/4
MHM31Q133B	133	5 1/4
MHM31Q152B	152	6
MHM31Q168B	168	6 5/8
MHM31Q210B	210	8 9/32

\*\*Including MXqs ONE CLICK Quick Change Arbor MX2P1006B and Adapter, excl. guide pin. Guide pins must be ordered separately.



\* Drilling pitched roofs or under an angle: Pre-drill, then use a hole saw of 300mm length with a L=515 center pin.

